

Technical data sheet for

TWIN PAN ELECTRIC FRYER 450mm

E44E

- 17kW high performance twin pan fryer
- 2 digital display temperature controls with 3 product timers each
- Easy clean stainless steel open pan with 10 year limited warranty
- 12L per pan oil capacity
- 25mm (1") drain valves
- Rear rollers
- Stainless steel exterior
- Easy service
- Fully modular



E44E

Overall Construction

- Stainless steel pan
- Bull nose welded 1.5mm stainless steel
- Splashback 1.2mm stainless steel
- Side panels 1.2mm stainless steel
- Double skin door with 0.9mm stainless exterior
- Hinge out counterbalanced heating elements
- 25mm (1") drain valves
- 63mm dia. heavy-duty 1.2mm stainless steel adjustable legs at front and two rollers at rear
- 2 baskets and stainless steel lid supplied standard

Controls

- Digital display electronic thermostats
- Thermostat range 88-193°C
- 3 programmable product timers with countdown display and alarms per pan
- Heating and basket drop displays
- Programmable melt cycles
- Fail-safe over-temperature safety cut-outs
- Element tilt switch for heating cut-out on element lift

Cleaning and Servicing

- Open stainless steel pans with hinge out elements for easy clean
- Easy clean basket support bar
- 25mm (1") drain valves for effective draining
- Easy clean stainless steel exterior
- Access to all parts from front of unit

Technical data sheet for TWIN PAN ELECTRIC FRYER 450mm

Specifications

Production rate
31kg/hr

Pan Size (per pan)
Oil capacity 12L (24lbs shortening)
Width 175mm
Length 380mm
Oil frying depth 95mm

Baskets

2 chrome plated wire baskets
140mm W x 335mm D x 145mm H

Elements (per pan)

3 x 2.83kW stainless steel heating elements

Electrical requirements

17kW, 400-415Vac, 50/60hz, 3P+N+E

L1	23.6A
L2	23.6A
L3	23.6A

Dimensions

Width 450mm
Depth 812mm
Height 915mm
Incl. splashback 1085mm

Nett weight

73kg

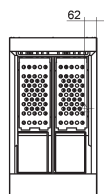
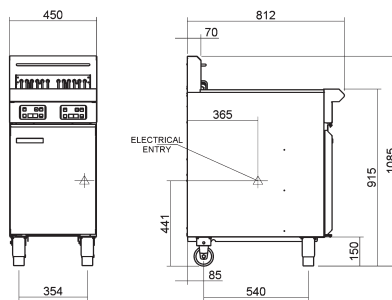
Packing data

0.54m³, 114kg
Width 870mm
Depth 495mm
Height 1255mm

Options

Adjustable feet at rear
Filtamax Filtration System
Extra baskets
Side splash guards
Joining caps
Castors

E44E



www.blue-seal.co.uk
www.bluesealevolution.com

United Kingdom

Blue Seal Limited

Unit 67
Gravelly Business Park
Gravelly
Birmingham B24 8TQ
England
Telephone 0121-327 5575
Facsimile 0121-327 9711
Email sales@blue-seal.co.uk
www.blue-seal.co.uk

Australia

Moffat Pty Limited

740 Springvale Rd
Mulgrave
Victoria 3170
Australia
Telephone 03-9518 3888
Facsimile 03-9518 3833
Email vsales@moffat.com.au
www.moffat.com.au

New Zealand

Moffat Limited

16 Osborne St
PO Box 10-001
Christchurch 8011
New Zealand
Telephone 03-389 1007
Facsimile 03-389 1276
Email sales@moffat.co.nz
www.moffat.co.nz



ISO9001
Quality
Management
Standard

Designed and manufactured by



ISO9001

All Blue Seal products are designed and manufactured by Moffat using the internationally recognised ISO9001 quality management system, covering design, manufacture and final inspection, ensuring consistent high quality at all times.



In line with policy to continually develop and improve its products, Moffat Limited reserves the right to change specifications and design without notice.

