



G3107D SOLID TOP RANGE



G3107D Solid Top Range

KEY FEATURES

- Drop-down door with 90° position hinge
- *quick access to load and unload oven*
- Cast iron solid top with removable bullseye
- *delivers heat where required, up to 400°C*
- Vitreous enamelled oven chamber
- *easy to clean and to keep clean*
- Wide oven temperature range of 120 - 270°C
- *ideal to prepare a wide variety of food*
- Piezo ignition to oven
- *simple, trouble-free operation*
- Oven has 5 shelf positions and allows 2 shelf cooking
- *versatile, ideal for a wide range of menu items*
- Low profile, full width door handle
- *reduces intrusion into work space*
- Laser-etched control icons
- *permanent, indelible markings*

MODELS and ACCESSORIES

G3107D Single bullseye range - general purpose oven

- Fully integrated extended flue
- Splashplate and plateshelf (*not for use with extended flue*)
- Oven shelf
- Factory fitted, adjustable castors
- Fixed installation kit
- Suiting kit

INSTALLATION NOTES

Adequate ventilation must be provided to supply sufficient fresh air for combustion and to allow easy removal of any such products that may present a risk to health. Please consult current legislation for details that relate to specific locations.

Install unit on a level, fireproof surface in a well-lit, draught free position. If floor is made of a combustible material, local fire requirements must be checked to ensure compliance.

A clearance of 150mm should be observed between appliance and any combustible wall.

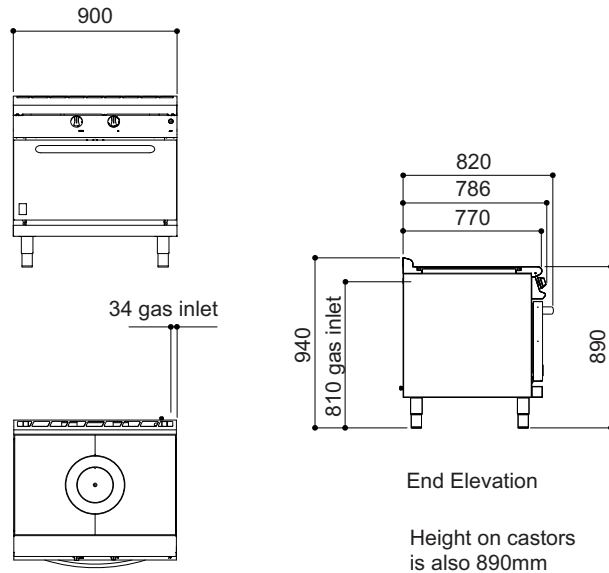




DOMINATOR PLUS

G3107D SOLID TOP RANGE

MODEL DIMENSIONS (in mm)



SPECIFICATION DETAILS

	G3107D
Total rating (natural and propane - kW - Nett)	17.3
Total rating (natural and propane - btu/hr - gross)	64,900
Inlet size (natural and propane)	3/4" BSP
Flow rate - natural (m ³ /hr)	1.83
Flow rate - propane (kg/hr)	1.34
Inlet pressure (natural and propane - mbar)	20 / 37
Operating pressure (natural and propane - mbar)	15 / 37
Hob burner rating (natural and propane - kW)	10.2
Hob burner rating (natural and propane - btu/hr)	38,300
Oven burner rating (natural and propane - kW)	7.1
Oven burner rating (natural and propane - btu/hr)	26,600
Oven dimensions (w x d x h - mm)	700 x 535 x 430
Oven shelf (w x d - mm)	700 x 535
Gastronorm compatibility	2/1
Weight (kg)	137
Packed weight (kg)	145