



PB66 - Lincat Silverlink 600 Electric Counter-top Pasta Cooker - Twin Tank - W 600 mm - 2 x 3.0 kW

Not only does the Silverlink 600 Electric Pasta Boiler deliver perfect pasta every time, it also has the versatility to be used as a steamer and Bain Marie, too.

- ✓ Delivering perfect pasta, time after time
- ✓ Front mounted controls ensure safe working practice
- ✓ Hinging element with safety cut-out provides easy access to tank for cleaning
- ✓ Thermostatic control maintains accurate water temperature
- ✓ Enhanced resistance to punishing salt and starch corrosion with high quality grade 304 stainless steel tanks, basket support plates, and corrosion-resistant elements
- ✓ Front drain taps with straight drain pipes for fast, easy drainage of water - and no blockages
- ✓ Lid to reduce heat up time and also cover tanks when not in use
- ✓ Convenient twin electrical cables on PB66 twin tank model allow you to plug in to standard 13 amp sockets

Specifications

Summary

Brand	Lincat
Range	Silverlink 600
Power Type	Electric
Unit Type	Counter-top
Available in UK Only	No
UK Warranty	2 Years Parts and Labour Warranty
Export Warranty	Contact your local dealer
GTIN	5056105100171

Power and Performance

Total Power kW	2 x 3.0
IP Rating	IP33
Temperature Control	Mechanical

Key Specifications

Number of Baskets	0
Number of Tanks	2

Capacity

Product Output per Hour	10kg pasta - penne [fresh]
Capacity Litres	2 x 11

Weights and Dimensions

Unit Height (External) mm	330
Unit Width (External) mm	600
Unit Depth (External) mm	600
Net Weight Kg	22.8

Supply Connections

Requires Installation	No
Requires Electrical Supply	Yes
UK 3 Pin Plug	Yes
Requires Hardwiring	No
Electrical Supply Rating Watts	2 x 3,000
Single Phase Amps	2 x 13.0
Single Phase Voltage	230

Shipping

Packed Weight Kg	25.08
Packed Height cm	49,5
Packed Width cm	70
Packed Depth cm	70

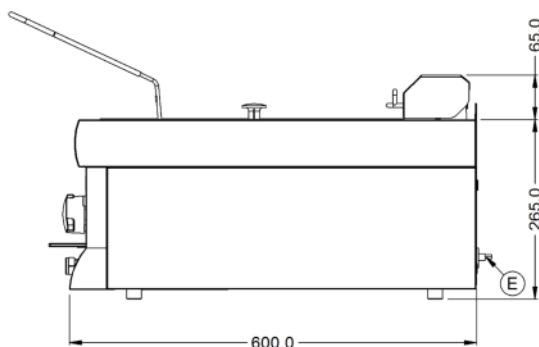
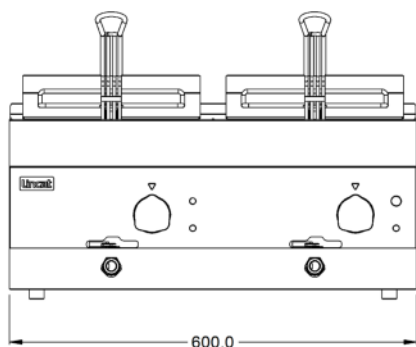
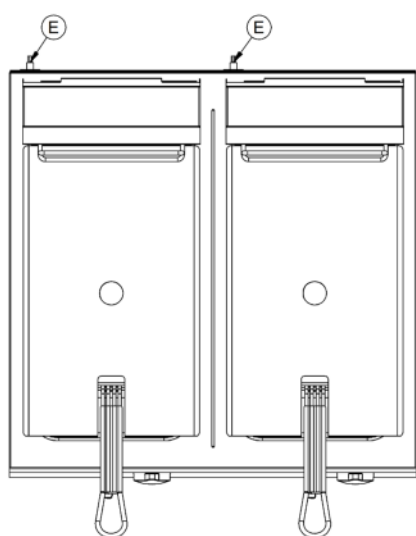
Available Accessories

BA112 BASKET PASTA

Available Accessories

BA114	BASKET 1/2 PASTA
BA115	BASKET R/H 1/4 PASTA
BA116	BASKET L/H 1/4 PASTA
CC6	Lincat Silverlink 600 Free-standing Ambient Open-Top Pedestal with Doors - W 600 mm
CN6	Lincat Silverlink 600 Free-standing Ambient Open-Top Pedestal without Doors - W 600 mm
HC6	Lincat Silverlink 600 Free-standing Heated Open-Top Pedestal with Doors - W 600 mm - 0.5 kW
HCL6	Lincat Silverlink 600 Free-standing Heated Pedestal with Legs and Doors - W 600 mm - 0.5 kW
SLS6	Lincat Silverlink 600 Free-standing Floor Stand - for units W 600 mm

Technical Picture





Lincat Limited

Whisby Road,
Lincoln, LN6 3QZ,
United Kingdom

Company No: 2175448

A member company of



Customer Care

Tel: +44 1522 875500
Email: care@lincat.co.uk

Export Customers

Tel: +44 1522 875536
Email: export@lincat.co.uk

Opening Hours

Monday – Friday:
8.30am – 5pm